



STATE OF HAWAII
DEPARTMENT OF TRANSPORTATION
869 PUNCHBOWL STREET
HONOLULU, HAWAII 96813-5097

FORD N. FUCHIGAMI
INTERIM DIRECTOR

Deputy Directors
RANDY GRUNE
AUDREY HIDANO
ROSS M. HIGASHI
JADINE URASAKI

IN REPLY REFER TO:

Board of Land and
Natural Resources
State of Hawaii
Honolulu, Hawaii

ISSUANCE OF A REVOCABLE PERMIT FOR AIRCRAFT STORAGE
MCBRIDE, KIRK W., REWICK, KENNETH E., AND SCOTT JR., ROBERT M.
HONOLULU INTERNATIONAL AIRPORT
TAX MAP KEY: (1) 1-1-76: PORTION OF 20

OAHU

LEGAL REFERENCE:

Section 171-55, Hawaii Revised Statutes

APPLICANT:

Kirk W. McBride, Kenneth E. Rewick, and Robert M. Scott Jr., whose post office address is P.O. Box 29772, Honolulu, Hawaii 96820

LOCATION:

Portion of Honolulu International Airport, Island of Oahu, State of Hawaii, identified by Tax Map Key: 1st Division, 1-1-76: portion of 20.

AREA:

Area/Space No. 420-125, containing an area of 1,247 square feet, as delineated on the attached map labeled Exhibit A.

ZONING:

State Land Use District: Urban
City and County of Honolulu LUO: Industrial (I-2)

LAND TITLE STATUS:

Non-ceded - Section 5(a) lands of the Hawaii Admission Act
DHHL 30% entitlement lands pursuant to Hawaii Admission Act YES ___ NO X

ITEM M-11

BLNR – ISSUANCE OF A REVOCABLE PERMIT FOR AIRCRAFT STORAGE
KIRK W. MCBRIDE, KENNETH E. REWICK, AND ROBERT M. SCOTT JR.

Page 2

CURRENT USE STATUS:

Land presently encumbered by Governor's Executive Order No. 3201, dated June 8, 1983, setting aside 3,152.177 acres designated as Honolulu International Airport under the control and management of the State of Hawaii, Department of Transportation, Airports Division (DOTA) for Airport Purposes.

CHARACTER OF USE:

T-Hangar for Aircraft Storage (1999 American Champion Citabria, Tail No. N-495AC)

COMMENCEMENT DATE:

Upon execution of the revocable permit.

MONTHLY RENTAL:

\$674.00

SECURITY DEPOSIT:

Three (3) times the monthly rental in effect.

HOLDOVER TENANCY:

\$22.47

CHAPTER 343, HRS - ENVIRONMENTAL ASSESSMENT:

Pursuant to Section 11-200-8(a), Environmental Impact Statement Rules of the Department of Health, State of Hawaii, this disposition is exempt from requirements regarding preparation of an environmental assessment, negative declaration, or environmental impact statement as required by Chapter 343, Hawaii Revised Statutes, as amended, relating to Environmental Impact Statements, because the proposed action falls within Exemption Class #1, Comprehensive Exemption List for the State of Hawaii, Department of Transportation, dated November 15, 2000, as approved by the Environmental Quality Council. Exemption Class #1 covers operations, repairs, or maintenance of existing structures, facilities, equipment, or topographical features involving negligible or no expansion or change of use beyond that previously existing.

REMARKS:

In accordance with Section 171-55, HRS, relating to Permits, the Department of Transportation proposes to issue a month-to-month revocable permit for a T-Hangar (#420-125) for the storage of aircraft to Kirk W. McBride, Kenneth E. Rewick, and Robert M. Scott Jr., at Honolulu International Airport.

RECOMMENDATION:


That the Board authorize the Department of Transportation to issue a month-to-month revocable permit to Kirk W. McBride, Kenneth E. Rewick, and Robert M. Scott Jr. at Honolulu International Airport, subject to: (1) terms and conditions herein outlined, which are by reference incorporated herein; and (2) such additional terms and conditions as may be prescribed by the Director of Transportation to best serve the interests of the State.

Respectfully submitted,

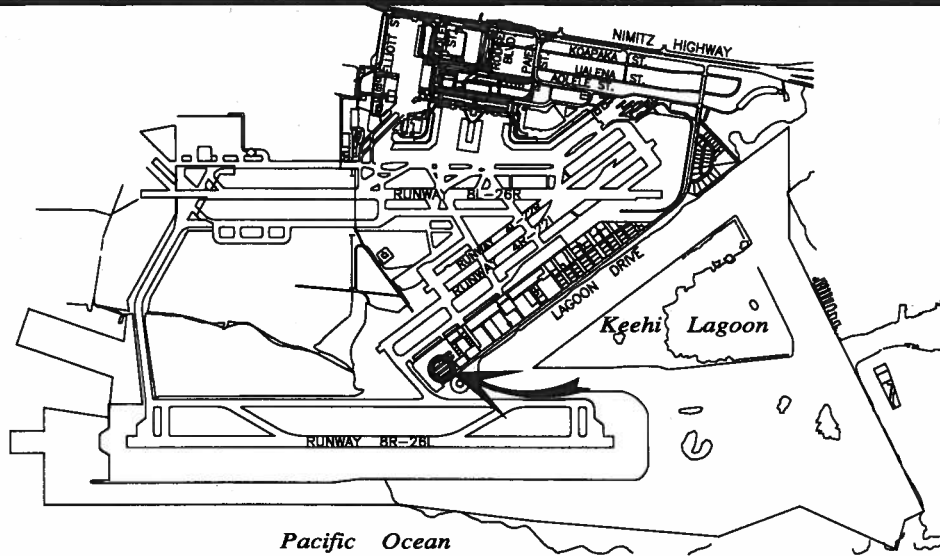


FORD N. FUCHIGAMI
Interim Director of Transportation

APPROVED FOR SUBMITTAL:

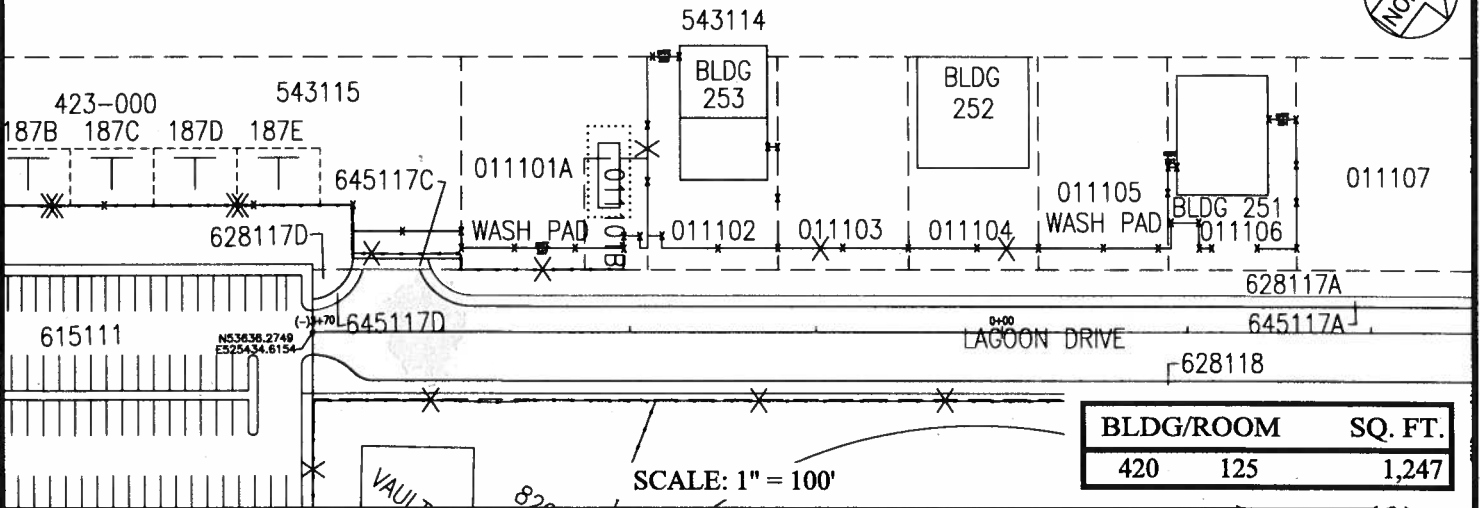
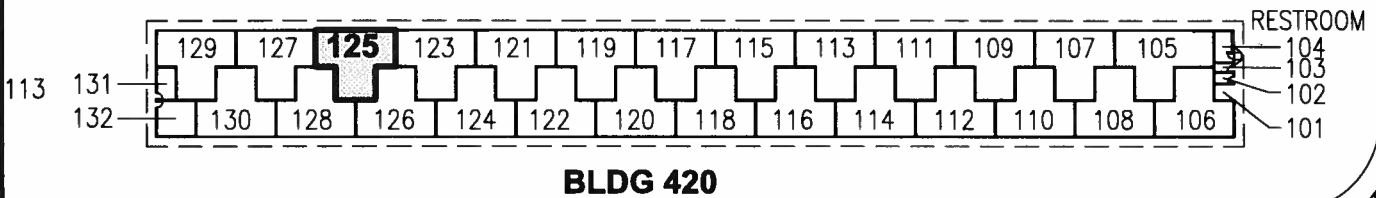
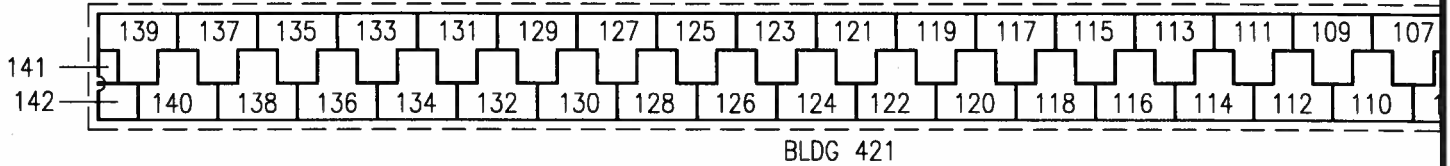


WILLIAM J. AILA, JR.
Chairperson and Member



LOCATION PLAN

5000:1



RP-8239

DATE : SEPTEMBER 2014

EXHIBIT: **A**



MCBRIDE, KIRK W./
REWICK, KENNETH E./
SCOTT, ROBERT M. JR.

BUILDING 420
T-HANGARS
SOUTH RAMP

420125
PLAT 45

HONOLULU INTERNATIONAL AIRPORT